



Z Series

## Starter Unit Assembly & Half Bridge.

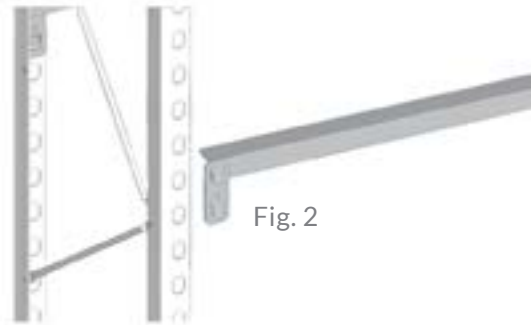
Step by step instructions for the Z series racking systems.

Fig. 1



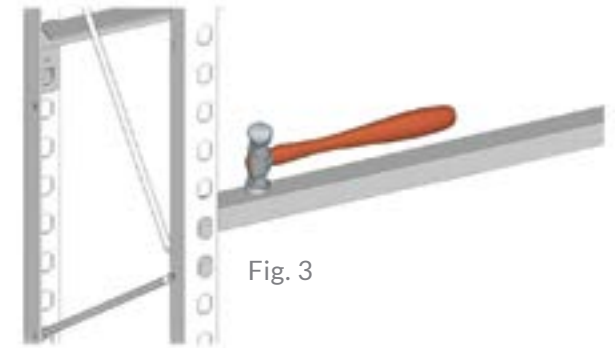
Step 1 | Start with end frames, make sure feet are adjusted evenly, lean one frame against a wall or hold in the vertical position with feet on the floor. (Fig. 1)

Fig. 2



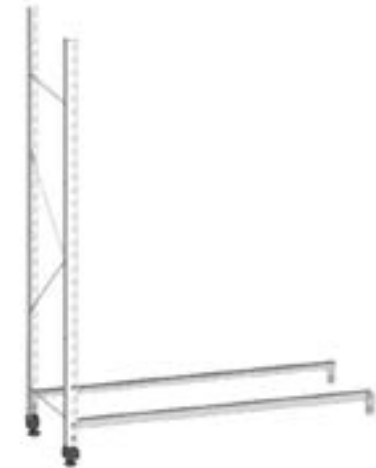
Step 2 | Select the correct size rail/beam and clip the connector into end frame at the desired level, starting at the bottom. Note; food safety regulations require the bottom shelf to be 200mm above the floor. (Fig. 2)

Fig. 3



Step 3 | Tap rails down firmly using a soft face hammer. Note: Hammer only on the front edge of rail. Failure to do this will result in bending the clip. (Fig. 3)

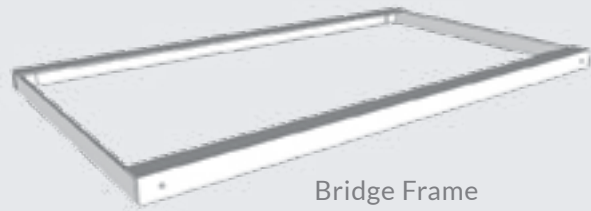
Fig. 4



Step 4 | Stand the second matching end frame in position and clip rail connector into the rear post in the identical matching position as the other frame. The two frames will now stand self-supported. (Fig. 4)

For where bridge goes between two shelf units

# Additional components for Half Bridge.



Bridge Frame



Cleat



Mounting Clip

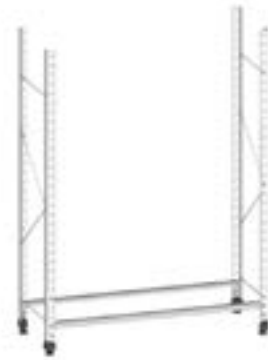


Fig. 5a



Fig. 5b



Fig. 5c

Step 5 | Continue fitting rails, working up from the bottom. Note: it is important to always work up from the bottom. (Fig. 5a-5c)



Step 6 | When 'half Bridge' Shelves are used, first assemble the free standing modules as far as step 5.

Step 7 | Position starter unit in desired location.



Fig.8a

Fig.8b



Fig.8c

Fig.8d

Step 8 | Fit folded sheet metal mounting clips to shelf rails by first hooking the over folded edge over the inner edge of the shelf rail, then rotating forward to sit neatly over the angle rail. (Fig. 8a-8c)

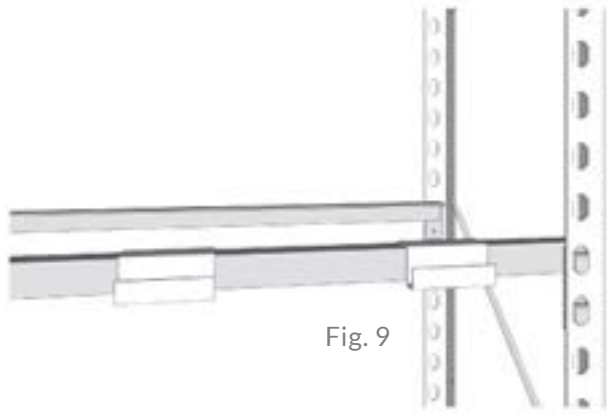


Fig. 9

Step 9 | Slide these along the rail into the appropriate positions. (Fig.9)

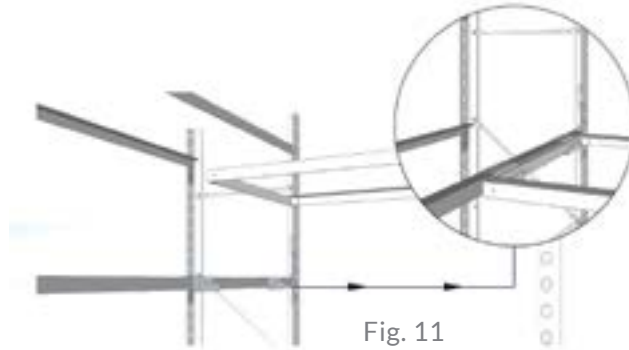


Fig. 11

Step 11 | Stand the end-frame in position and sit the pre-assembled bridging frame on the mounting brackets (Fig.11) (This is a 2 person job)



Fig. 13

Step 13 | Now is the best time to check the unit is standing plumb and level, adjust the feet if necessary. (Fig.13)



Fig. 10

Step 10 | Take a standard end-frame of the desired size and fit the cleat mounted support brackets at the required height locations, taking care to get the top of the clip at the same height as the top of the rail where the other end of the bridge is going. (Fig.10)



Fig. 12

Step 12 | Once 2 levels are in place the structure will be self supporting and you can continue to fit the remaining bridges. (Fig. 12)

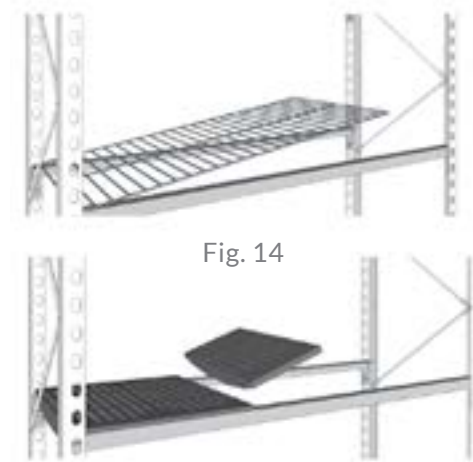


Fig. 14

Step 14 | With the support structure all in place, the shelf panels or wire racks can be fitted. (Fig.14) Your installation is now complete.