

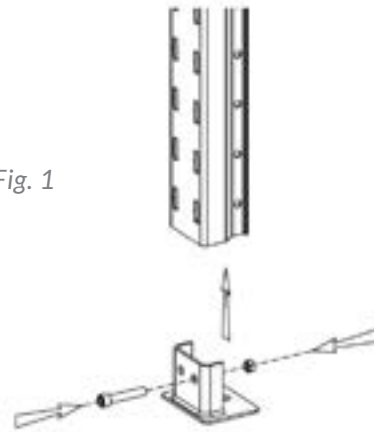


Step by Step Instructions

Novaspan Assembly

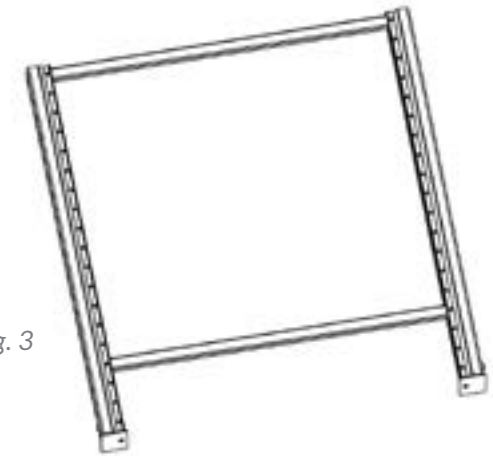
Note: Assemble frame with all bolts finger tight until complete assembly, then go through and tighten.

Fig. 1



Step 1 | Take two posts and fit the feet with 2 x M8x20 bolt supplied to the bottom of post. The feet may only fit one end of post as hole distance can vary from end to end. (Fig. 1)

Fig. 3



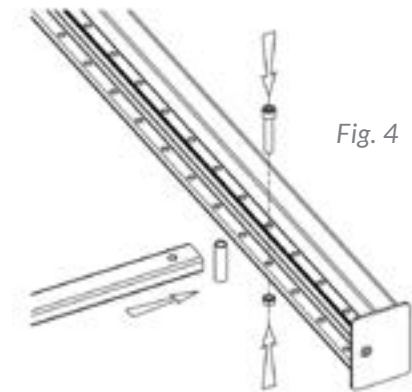
Step 3 | Take two horizontal braces, which will be the shorter of the two supplied, and lay in place at the top and bottom.(Fig. 3)

Fig. 2



Step 2 | Lay posts parallel at approx desired width of frame (450, 600, 900 etc). (Fig. 2)

Fig. 4



Step 4 | Start by bolting horizontal brace to one post in the 4th hole from the bottom. Use spacer supplied (as shown in drawing). Starting at bottom or foot end. (Fig. 4)

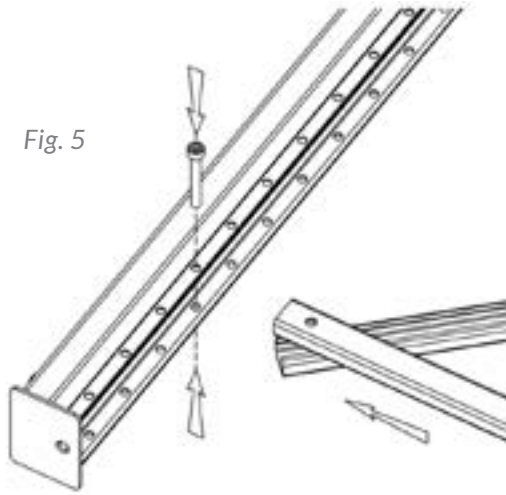


Fig. 5

Step 5 | Next, bolt through horizontal and diagonal brace as shown in the drawing (no spacer required). (Fig. 5)

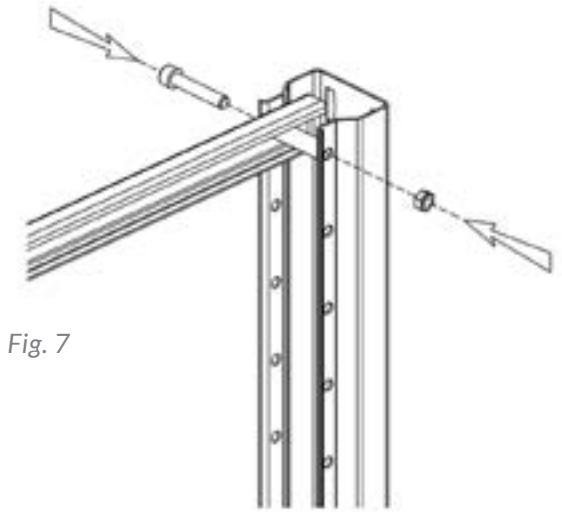


Fig. 7

Step 7 | Finish assembly with another horizontal brace with a spacer used on final bolt. (Fig. 7)

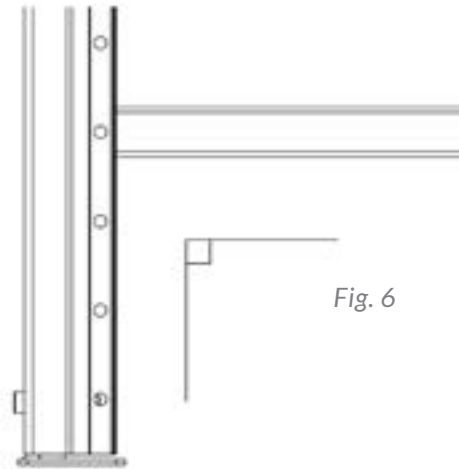


Fig. 6

Step 6 | Check that horizontal brace is square to posts before fitting the remainder of the diagonal braces working from the bottom up. (Fig. 6)

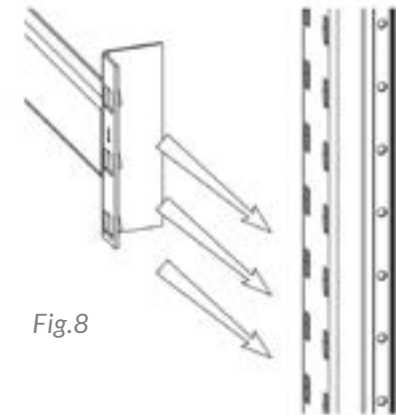
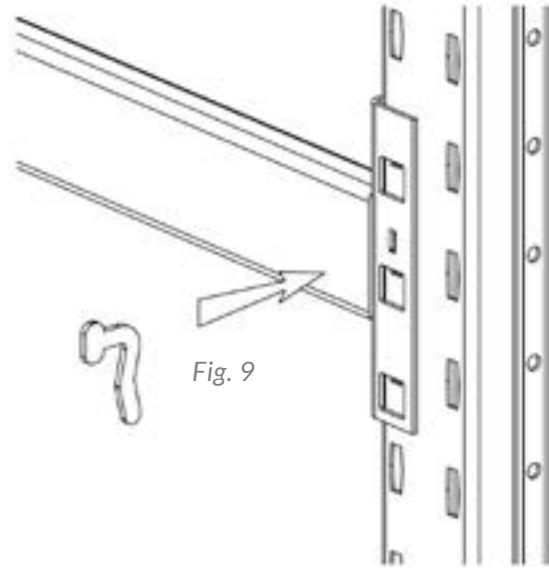


Fig. 8

Step 8 | Stand assembled frames in their feet and fit beams at desired heights, starting at the bottom and working up. The connections should slot into posts without force. Once in position they should be hammered in tight with a soft face hammer of reasonable weight. (Fig. 8)



Step 9 | When all the beams are fitted and hammered down, insert locking clips to prevent accidental removal of beams, this is a requirement by OSH. Failure to fit clip could result in an accident. (Fig. 9)

Step 10 | When assembly of all units is complete, place them in desired position, straight lines, parallel etc. Once you are entirely happy with positioning, bolt feet to floor with the fixing provided. Drill size for dynabolts is 14mm.



Step 11 | Check frames for 'plumb' within 1mm in 500mm. Place shims under feet if necessary to achieve this.

NOTE: FAILURE TO SET UP PLUMB AS IN STEP 11 REDUCES LOADING CAPACITY AND INVALIDATES GUARANTEE.